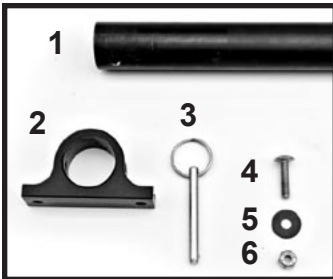




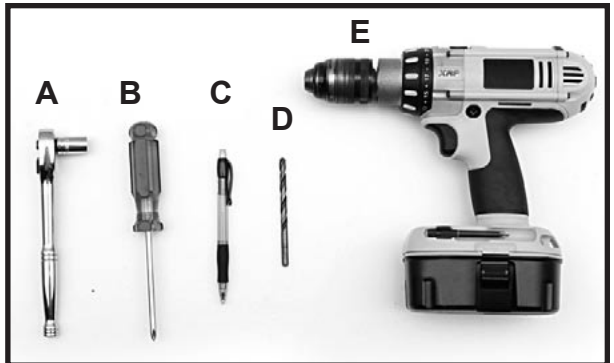
ULTIMATE 12 AND ULTIMATE 12 MULTISPORT CATAMARAN TRAMPOLINE INSTALLATION.

INCLUDED IN KIT



- 1) CROSS TUBES (2)
- 2) CROSS TUBE BRACKETS (8)
- 3) PINS (8)
- 4) 7/16" SCREWS (16)
- 5) PLASTIC WASHERS (16)
- 6) LOCK WASHERS (16)

TOOLS NEEDED

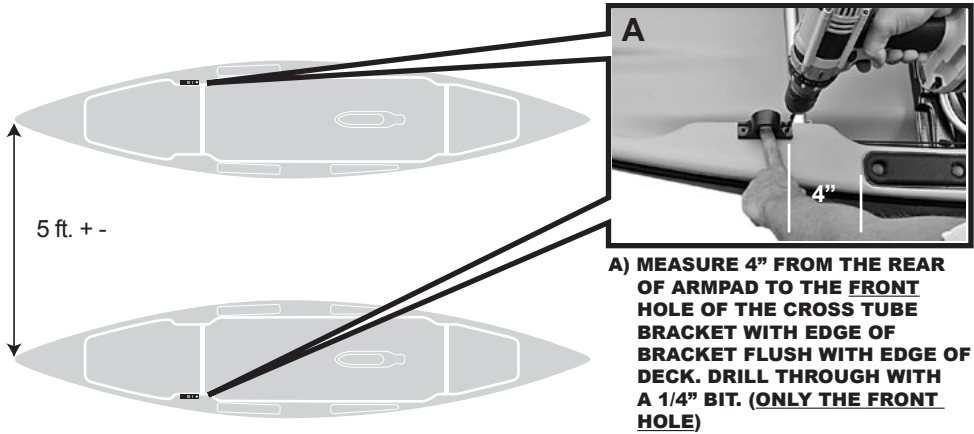


- A) 7/16" SOCKET WRENCH
- B) PHILLIPS SCREWDRIVER
- C) PENCIL
- D) 1/4" DRILL BIT
- E) DRILL

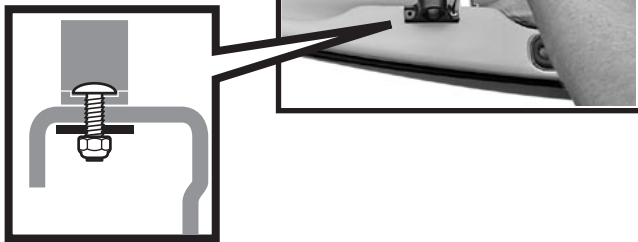
1. LAYOUT BOAT HULLS / LOCATE AND ATTACH REAR BRACKETS

Layout both hulls about 5 ft apart at the bow and stern. (This is just to get close to the final position after the crosstubes are placed.)

Locate and place the two REAR cross tube brackets on the outside of the two hulls as shown.

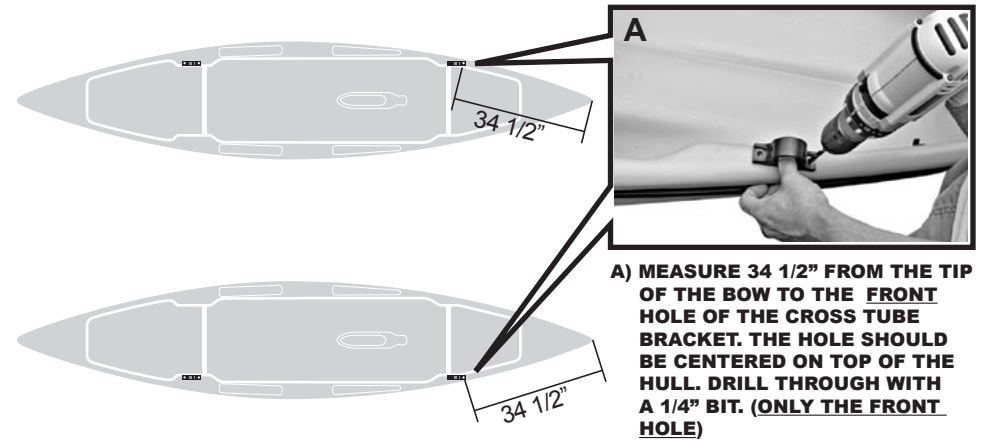


B) FASTEN LOOSELY THE CROSS TUBE BRACKET AT THE FRONT HOLE (ONLY THE FRONT HOLE) WITH THE SCREW - WASHER - AND LOCKNUT; USING A #3 PHILLIPS SCREWDRIVE AND 7/16" SOCKET WRENCH.

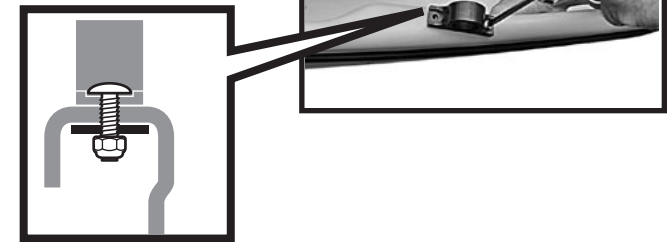


2. LOCATE AND ATTACH FRONT BRACKETS

Locate and place the two FRONT cross tube brackets on the two outside of the two hulls as shown.

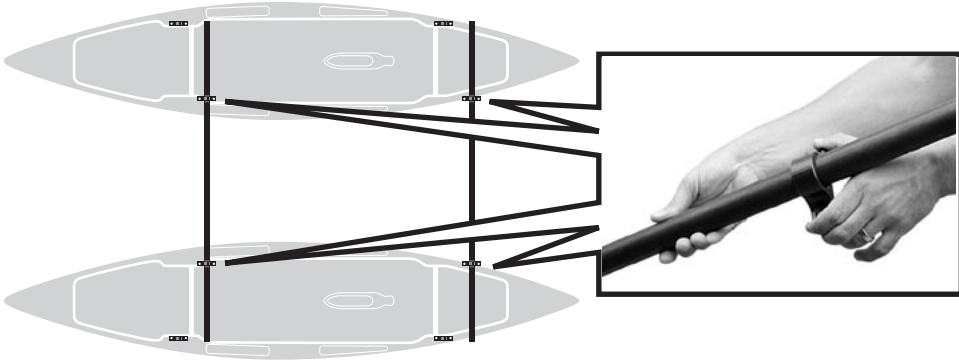


B) FASTEN LOOSELY THE CROSS TUBE BRACKET AT THE FRONT HOLE (ONLY THE FRONT HOLE) WITH THE SCREW - WASHER - AND LOCKNUT; USING A #3 PHILLIPS SCREWDRIVE AND 7/16" SOCKET WRENCH.



3. LOAD CROSSBARS WITH BRACKET

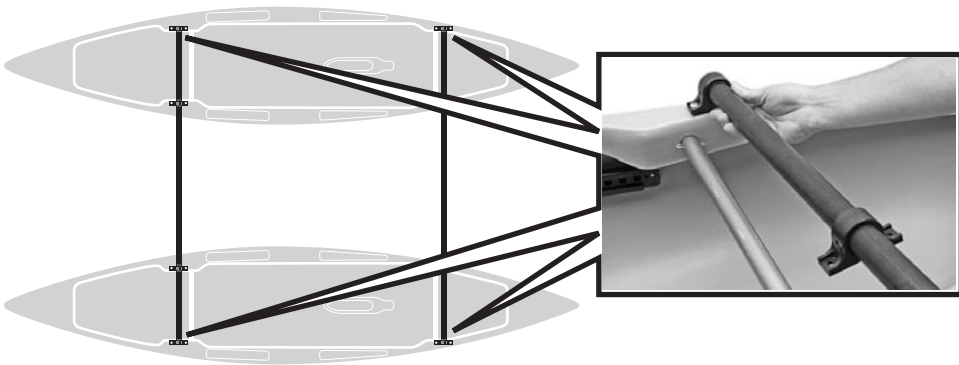
Insert the inside crosstube brackets onto the crossbars as shown. Slide them to their approximate final position.



4. INSTALL CROSSBARS

Slide the crossbars into the OUTSIDE brackets that are attached to the hull with ONE screw. (Do not inset the second screw)

Square up crosstubes by skewing both hulls until the inside brackets are in the same relative position as the outside brackets. The crosstubes should be parallel to the the thwart tubes.

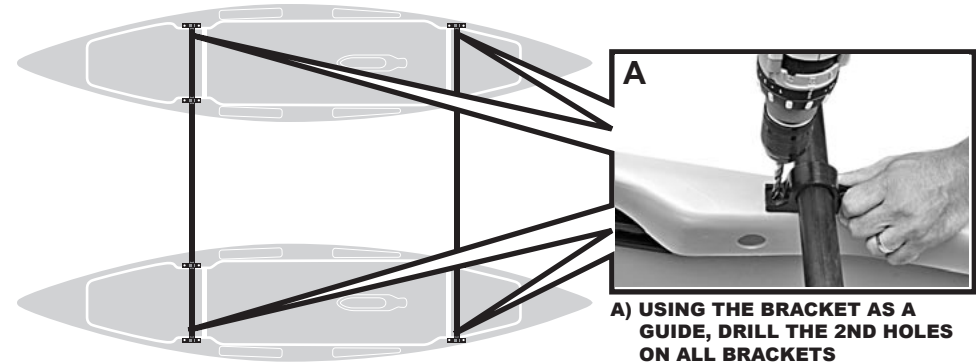


5. SCREW ALL BRCKETS INTO PLACE

After your hulls and crosstubes are squared to your satisfaction, using the hole in the bracket as a guide, drill one hole for each of the inside brackets and attach the screw washer nut and bolt.

YOUR CATAMARAN SHOULD NOW BE SQUARE AND STABLE

Finish attaching the 2nd screws in all of the brackets.

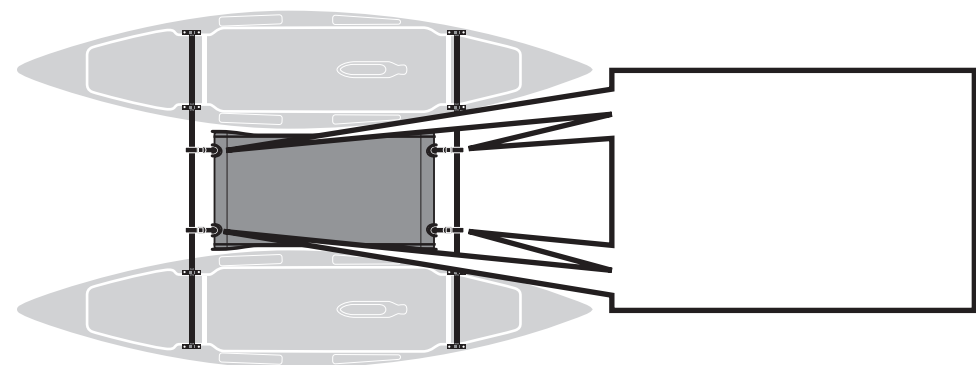


B) FINISH INSTALLING ALL THE SCREWS WASHERS NUTS. TIGHEN ALL SCREWS



6. INSTALL TRAMPOLINE

Lay the trampoline over top of the bars and pull the webbing until tight.





WWW.NATIVEWATERCRAFT.COM